



PORTABLE DAVIT CRANE

COMMANDER® 2000



thern.com
(507) 454-2996

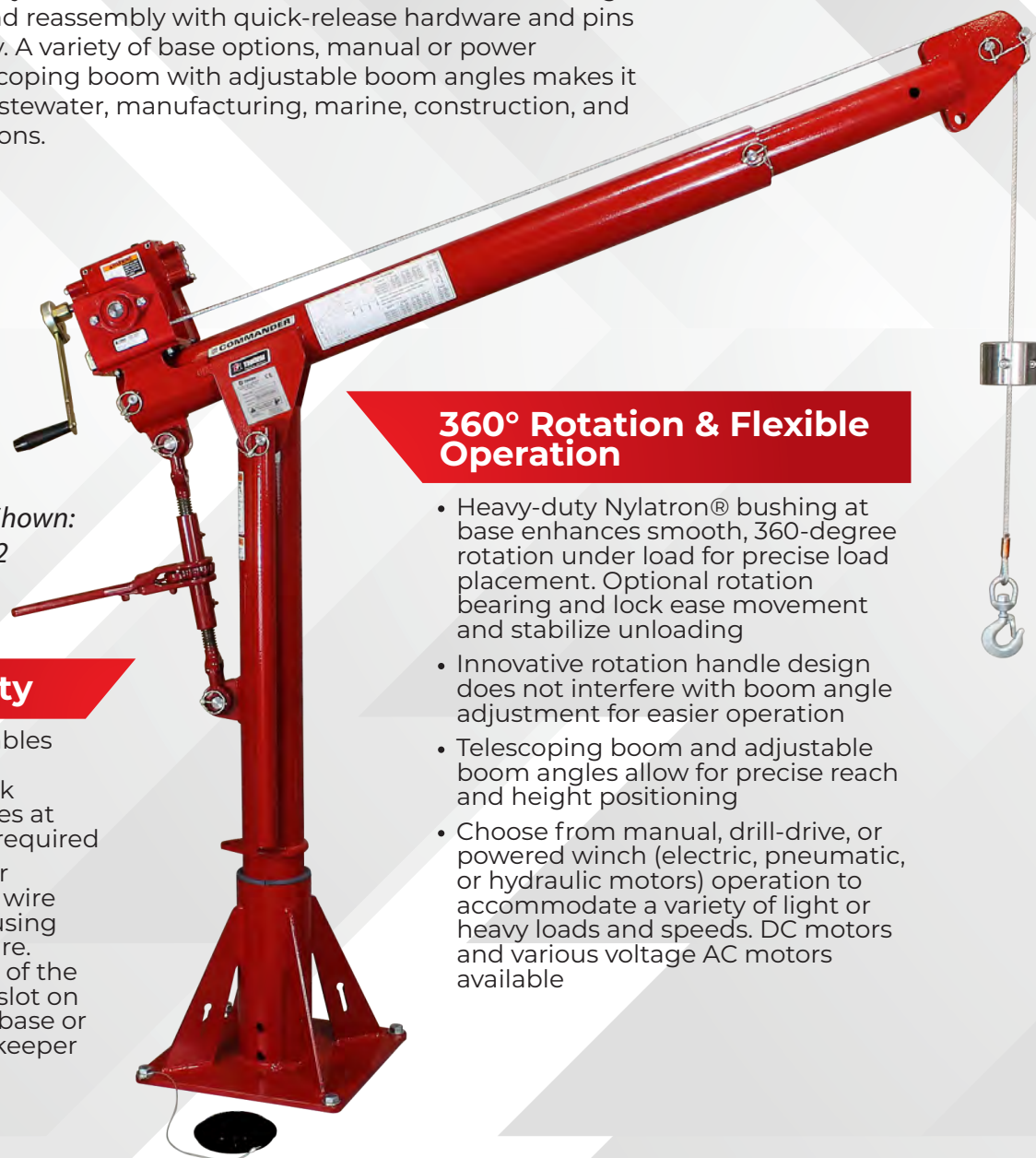
COMMANDER® 5PT20

PORTABLE DAVIT CRANE



HEAVY LIFTING POWER with Enhanced Flexibility and Portability

The 5PT20 Commander 2000 portable davit crane (up to 2,000 pounds) is one of Thern's largest capacity, portable davit cranes. A maximum hook height (with pedestal base) of 97 inches allows it to hoist large loads and reach over walls, rails, and obstacles. It is designed to lift, lower, and rotate loads 360 degrees, easily and smoothly. Add an optional rotation bearing and 12-position lock system to ease movement and stabilize unloading. Easy disassembly and reassembly with quick-release hardware and pins maximize portability. A variety of base options, manual or power operation, and telescoping boom with adjustable boom angles makes it perfect for water/wastewater, manufacturing, marine, construction, and oil and gas applications.



Product Shown:
5PT20-M2

360° Rotation & Flexible Operation

- Heavy-duty Nylatron® bushing at base enhances smooth, 360-degree rotation under load for precise load placement. Optional rotation bearing and lock ease movement and stabilize unloading
- Innovative rotation handle design does not interfere with boom angle adjustment for easier operation
- Telescoping boom and adjustable boom angles allow for precise reach and height positioning
- Choose from manual, drill-drive, or powered winch (electric, pneumatic, or hydraulic motors) operation to accommodate a variety of light or heavy loads and speeds. DC motors and various voltage AC motors available

Enhanced Portability

- Disassembles and reassembles easily, using quick-release hardware and pins for quick transport to storage or bases at other work sites—no tools required
- Move your crane to another location while keeping the wire rope attached to the load using the quick-disconnect feature. Insert the swaged-ball end of the wire rope into the keyhole slot on the gusset of the pedestal base or into an optional wire rope keeper or cable spool

STANDARD CONFIGURATIONS

| Series | IMPERIAL/METRIC | |
|------------|---|--------------------|
| | Description | Up To Capacity |
| 5PT20-M1 | Powder-coat crane with M4312PB-K spur gear hand winch | 2,000 lbs / 907 kg |
| 5PT20G-M1 | Galvanized crane with M4312PB-K spur gear hand winch | 2,000 lbs / 907 kg |
| 5PT20-M2 | Powder-coat crane with 4WM2-K worm gear hand winch | 2,000 lbs / 907 kg |
| 5PT20G-M2 | Galvanized crane with 4WM2-K worm gear hand winch | 2,000 lbs / 907 kg |
| 5PT20S-M3 | Stainless-steel crane with M4312PBSS-K spur gear hand winch | 2,000 lbs / 907 kg |
| 5PT20-E2 | Powder-coat crane with 4WP2-K electric winch | 2,000 lbs / 907 kg |
| 5PT20S-E2X | Stainless-steel crane with gray-epoxy 4WP2EGRA-K electric winch | 2,000 lbs / 907 kg |

Durable Construction & Finish

- Heavy-duty, welded structural steel pipe and tubing limit deflection and meet/exceed ASTM standards
- Corrosion-resistant, powder-coated frame, mast cap, and stainless-steel fasteners resist the elements for long service life.
- Galvanized, epoxy, and 304 or 316 stainless-steel finishes are available for corrosive environments

Flexible Configurations

- A variety of base mounting options, including pedestal, flush, and wall-mount, as well as wheel-base, help meet unique lifting needs
- A quick-mount winch bracket is standard (no tools required) and accommodates several Thern winches
- Optional base extension provides additional height without affecting the crane's load rating. Ideal for wall- or flush-mount installations to increase crane height for obstacle clearance or other needs. Creates 15 inches (381 mm) of additional height

NOTICE: These products are not for lifting people or things over people.

Refer to technical pages for detailed performance information.

TECHNICAL DRAWINGS & SPECIFICATIONS

COMMANDER® 2000

PORTABLE DAVIT CRANE

CONFIGURATIONS

| Model | Description | Approx. Ship Wt. | |
|-------------------------------|---|------------------|------|
| | | (lb) | (kg) |
| Popular Configurations | | | |
| 5PT20-M1 | up to 2,000 lb capacity with M4312PB-K spur gear hand winch—powder-coat crane | 241 | 109 |
| 5PT20G-M1 | up to 2,000 lb capacity with M4312PB-K spur gear hand winch—galvanized crane | 241 | 109 |
| 5PT20-M2 | up to 2,000 lb capacity with 4WM2-K worm gear hand winch—powder-coat crane | 255 | 116 |
| 5PT20G-M2 | up to 2,000 lb capacity with 4WM2-K worm gear hand winch—galvanized crane | 255 | 116 |
| 5PT20S-M3 | up to 2,000 lb capacity with M4312PBSS-K spur gear hand winch—stainless-steel crane | 241 | 109 |
| 5PT20-E2 | up to 2,000 lb capacity with 4WP2-K electric winch—powder-coat crane | 298 | 135 |
| Crane Only | | | |
| 5PT20 | up to 2,000 lb capacity—base model—powder-coat finish | 213 | 97 |
| 5PT20G | up to 2,000 lb capacity—base model—galvanized finish | 213 | 97 |
| 5PT20S | up to 2,000 lb capacity—base model—304 stainless-steel finish | 213 | 97 |
| 5PT20S316 | up to 2,000 lb capacity—base model—316 stainless-steel finish | 213 | 97 |
| 5PT20X | up to 2,000 lb capacity—base model—gray-epoxy finish | 213 | 97 |
| Winch Only | | | |
| M1 | M4312PB-K—spur gear hand winch only—zinc plated | 28 | 13 |
| M2 | 4WM2-K—worm gear hand winch only—powder coat | 42 | 19 |
| M2X | 4WM2EGRA-K—worm gear hand winch only—gray epoxy | 42 | 19 |
| M3 | M4312PBSS-K—spur gear hand winch only—stainless steel | 28 | 13 |
| E2 | 4WP2-K electric winch—115/1/60 VAC with 6 ft pendant control—enamel | 85 | 39 |
| E2X | 4WP2EGRA-K electric winch—115/1/60 VAC with 6 ft pendant control—gray epoxy | 85 | 39 |
| E3X | 3WG4B-KX electric winch - 115/1/60 VAC with 6 ft pendant control - gray-epoxy | 85 | 39 |
| E4 | 4777-K electric winch—115/1/60 VAC with 6 ft pendant control—enamel | 110 | 50 |
| E4X | 4777EGRA-K electric winch—115/1/60 VAC with 6 ft pendant control—gray epoxy | 110 | 50 |
| E4DC | 4777DC-K electric winch—12 volt DC with 10 ft pendant control—enamel | 105 | 48 |
| E4DCX | 4777DC-K electric winch—12 volt DC with 10 ft pendant control—gray epoxy | 105 | 48 |

Independent Bases—sold separately

Pedestal, socket, or wall-mount style.

Wheel base for floor crane operation. Base legs adjust in length and width.

IMPORTANT: Base installation is the customer's responsibility. Thern recommends consulting a civil engineer or other qualified professional. Contact Thern for installation guidelines.



| Finish | Pedestal | Flush | Wall | Wheel | Extension |
|-------------------------|----------------|----------------|----------------|------------------|----------------|
| Powder Coat Paint | 5BP20 | 5BF20 | 5BW20 | 5BR20 | 5BE20-15 |
| Galvanized | 5BP20G | 5BF20G | 5BW20G | — | 5BE20-15G |
| 304 Stainless Steel | 5BP20S | 5BF20S | 5BW20S | — | 5BE20-15S |
| 316 Stainless Steel | 5BP20S316 | 5BF20S316 | 5BW20S316 | — | 5BE20-15S316 |
| Epoxy Paint | 5BP20X | 5BF20X | 5BW20X | 5BR20X | 5BE20-15X |
| Approximate Ship Weight | 66 lbs (30 kg) | 57 lbs (26 kg) | 64 lbs (30 kg) | 375 lbs (171 kg) | 53 lbs (25 kg) |

Wire Rope Assemblies—sold separately

Galvanized or stainless steel wire rope assemblies with swaged-ball fitting to work with the quick-disconnect anchor on the winch. 316 stainless also available. Please contact Thern.

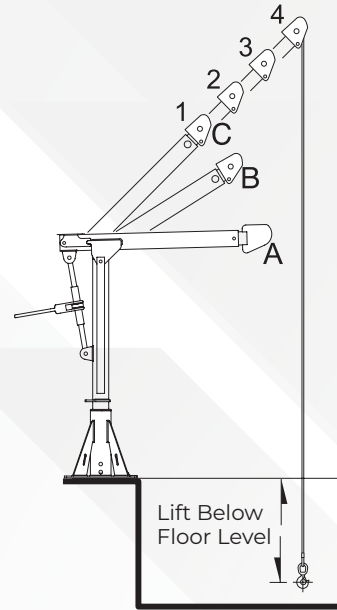
| Wire Rope Length | Galvanized Aircraft Cable | | 304 Stainless Steel Wire Rope | |
|------------------|---------------------------|---------------------|-------------------------------|---------------------|
| | 1/4" Dia. (6.4 mm) | 5/16" Dia. (7.9 mm) | 1/4" Dia. (6.4 mm) | 5/16" Dia. (7.9 mm) |
| (ft) (m) | Model No. | Model No. | Model No. | Model No. |
| 20 6.0 | WA25-20NS | WA31-20DS | WS25-20NS | WS31-20DS |
| 28 8.5 | WA25-28NS | WA31-28DS | WS25-28NS | WS31-28DS |
| 36 10.9 | WA25-36NS | WA31-36DS | WS25-36NS | WS31-36DS |
| 45 13.7 | WA25-45NS | WA31-45DS | WS25-45NS | WS31-45DS |
| 60 18.2 | WA25-60NS | WA31-60DS | WS25-60NS | WS31-60DS |
| 75 22.8 | WA25-75NS | — | WS25-75NS | — |



PERFORMANCE

Commander 2000 Lift Below Floor² Level

| Lift Below Floor ¹ | | Wire Rope Diameter | | Wire Rope Length ³ | | Winch Configurations Maximum Winch Rating | | | | | | | | | |
|-------------------------------|------|--------------------|------|-------------------------------|-----|---|------|-------|------|-------|------|-------|------|-------|------|
| Minimum (C4) Maximum (C1) | | | | | | M1 | | M2 | | M3 | | E2 | | E4 | |
| (ft) | (m) | (in) | (mm) | (ft) | (m) | (lbs) | (kg) | (lbs) | (kg) | (lbs) | (kg) | (lbs) | (kg) | (lbs) | (kg) |
| 0 | 0.0 | 5 | 1.5 | 1/4" | 6 | 20 | 6.0 | 2,000 | 907 | 2,000 | 907 | 2,000 | 907 | 2,000 | 907 |
| 8 | 2.4 | 13 | 3.9 | 1/4" | 6 | 28 | 8.5 | 1,800 | 816 | 1,700 | 771 | 1,800 | 816 | 1,700 | 771 |
| 16 | 4.8 | 21 | 6.4 | 1/4" | 6 | 36 | 10.9 | 1,800 | 816 | 1,700 | 771 | 1,800 | 816 | 1,700 | 771 |
| 25 | 7.6 | 30 | 9.1 | 1/4" | 6 | 45 | 13.7 | 1,600 | 725 | 1,500 | 680 | 1,600 | 725 | 1,500 | 680 |
| 40 | 12.1 | 45 | 13.7 | 1/4" | 6 | 60 | 18.2 | 1,400 | 635 | 1,300 | 589 | 1,400 | 635 | 1,300 | 589 |
| 55 | 16.7 | 60 | 18.2 | 1/4" | 6 | 75 | 22.8 | - | - | 1,300 | 589 | - | - | 1,300 | 589 |
| 70 | 21.3 | 75 | 22.8 | 1/4" | 6 | 90 | 27.4 | - | - | - | - | - | - | 1,300 | 589 |
| 100 | 30.4 | 105 | 32.0 | 1/4" | 6 | 120 | 36.5 | - | - | - | - | - | - | - | - |
| 0 | 0.0 | 5 | 1.5 | 5/16" | 8 | 20 | 6.0 | 1,900 | 861 | 1,900 | 861 | 1,900 | 861 | 1,900 | 861 |
| 8 | 2.4 | 13 | 3.9 | 5/16" | 8 | 28 | 8.5 | 1,600 | 725 | 1,600 | 725 | 1,600 | 725 | 1,600 | 725 |
| 16 | 4.8 | 21 | 6.4 | 5/16" | 8 | 36 | 10.9 | 1,400 | 635 | 1,400 | 635 | 1,400 | 635 | 1,400 | 635 |
| 25 | 7.6 | 30 | 9.1 | 5/16" | 8 | 45 | 13.7 | 1,300 | 589 | 1,400 | 635 | 1,300 | 589 | 1,400 | 635 |
| 40 | 12.1 | 45 | 13.7 | 5/16" | 8 | 60 | 18.2 | - | - | - | - | - | - | 1,300 | 589 |
| 55 | 16.7 | 60 | 18.2 | 5/16" | 8 | 75 | 22.8 | - | - | - | - | - | - | - | - |
| 70 | 21.3 | 75 | 22.8 | 5/16" | 8 | 90 | 27.4 | - | - | - | - | - | - | - | - |
| 100 | 30.4 | 105 | 32.0 | 5/16" | 8 | 120 | 36.5 | - | - | - | - | - | - | - | - |



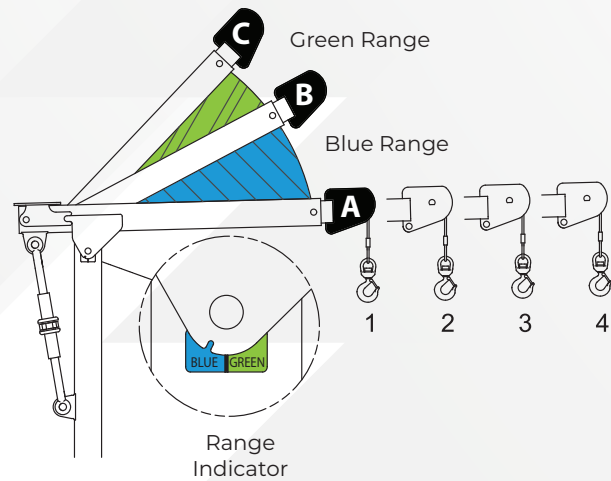
¹Lift below floor level varies depending on boom position and base configuration. For longer lifts, please contact factory.
²Performance characteristics are for standard products referred to in this manual. Non-standard products may vary from the original design. Contact Thern, Inc. for this information.
³Wire rope assemblies include a hook and a swaged-ball fitting to work with quick-disconnect anchor on winches, and 316SS wire rope is also available. Please contact the factory.

Winch Configurations



Commander 2000 Performance Ratings²

| | Boom Position | Load Rating | |
|-------------|---------------|-------------|------|
| | | (lb) | (kg) |
| BLUE RANGE | A-1 | 2,000 | 907 |
| | A-2 | 1,600 | 725 |
| | A-3 | 1,300 | 589 |
| | A-4 | 1,100 | 498 |
| GREEN RANGE | B-1 | 2,000 | 907 |
| | B-2 | 1,900 | 861 |
| | B-3 | 1,500 | 680 |
| | B-4 | 1,300 | 589 |
| GREEN RANGE | C-1 | 2,000 | 907 |
| | C-2 | 1,900 | 861 |
| | C-3 | 1,500 | 680 |
| | C-4 | 1,300 | 589 |

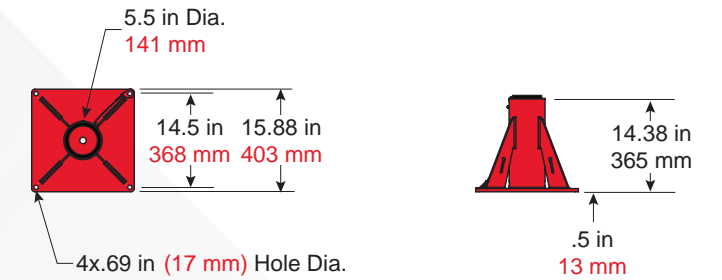


Commander 2000 with Pedestal Base Reach & Height Above Floor¹

| Boom Position | Hook Reach | | Hook Height | |
|---------------|------------|-------|-------------|-------|
| | (in) | (mm) | (in) | (mm) |
| A-1 | 46 | 1,168 | 43 | 1,092 |
| A-2 | 58 | 1,473 | 43 | 1,092 |
| A-3 | 70 | 1,778 | 43 | 1,092 |
| A-4 | 82 | 2,082 | 43 | 1,092 |
| B-1 | 37 | 939 | 61 | 1,549 |
| B-2 | 48 | 1,219 | 67 | 1,701 |
| B-3 | 58 | 1,473 | 72 | 1,828 |
| B-4 | 69 | 1,752 | 78 | 1,981 |
| C-1 | 28 | 711 | 71 | 1,803 |
| C-2 | 36 | 914 | 80 | 2,032 |
| C-3 | 45 | 1,143 | 88 | 2,235 |
| C-4 | 53 | 1,346 | 97 | 2,463 |

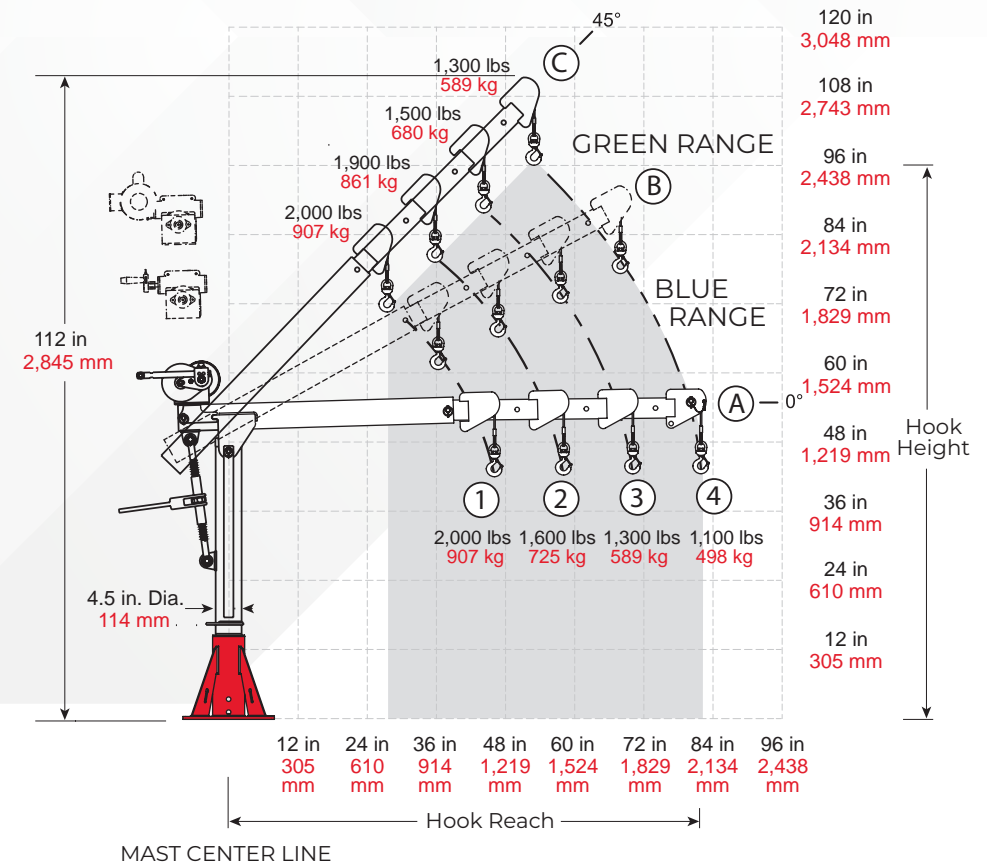
¹Performance characteristics are for standard products. Non-standard products may vary from the original design. Contact Thern, Inc. for this information.

Dimensions are for reference only and subject to change without notice.



Commander 2000 Pedestal Base

- 5BP20
- 5BP20G
- 5BP20S
- 5BP20S316
- 5BP20X

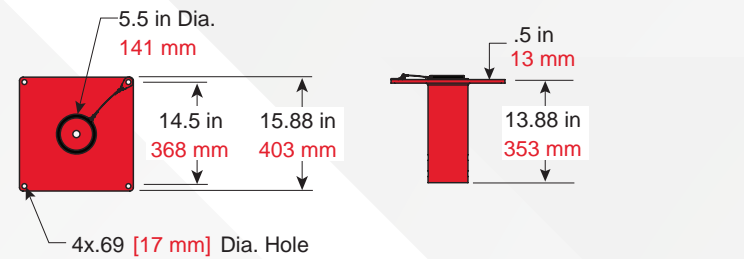


Commander 2000 with Flush- or Wall-Mount Base Reach & Height Above Floor¹

| Boom Position | Hook Reach | | Hook Height | |
|---------------|------------|-------|-------------|-------|
| | (in) | (mm) | (in) | (mm) |
| A-1 | 46 | 1,168 | 29 | 736 |
| A-2 | 58 | 1,473 | 29 | 736 |
| A-3 | 70 | 1,778 | 29 | 736 |
| A-4 | 82 | 2,082 | 29 | 736 |
| B-1 | 37 | 939 | 47 | 1,193 |
| B-2 | 48 | 1,219 | 53 | 1,346 |
| B-3 | 58 | 1,473 | 58 | 1,473 |
| B-4 | 69 | 1,752 | 64 | 1,625 |
| C-1 | 28 | 711 | 57 | 1,447 |
| C-2 | 36 | 914 | 66 | 1,676 |
| C-3 | 45 | 1,143 | 74 | 1,879 |
| C-4 | 53 | 1,346 | 83 | 2,108 |

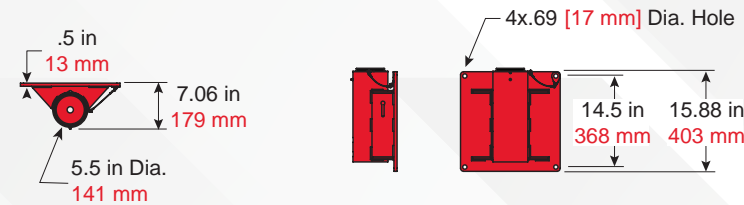
¹Performance characteristics are for standard products. Non-standard products may vary from the original design. Contact Thern, Inc. for this information.

Dimensions are for reference only and subject to change without notice.



Commander 2000 Flush-Mount Base

5BF20 5BF20G 5BF20S
5BF20S316 5BF20X



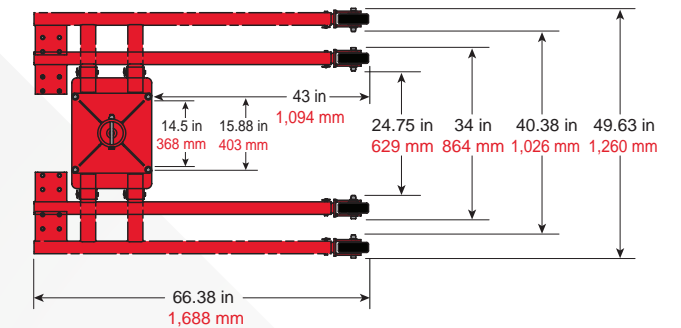
Commander 2000 Wall-Mount Base

5BW20 5BW20G 5BW20S
5BW20S316 5BW20X

Commander 2000 on Wheel Base Reach & Height Above Floor

| Boom Position | Hook Reach | | Hook Height | |
|---------------|------------|-------|-------------|-------|
| | (in) | (mm) | (in) | (mm) |
| A-1 | 46 | 1,168 | 50 | 1,270 |
| A-2 | 58 | 1,473 | 50 | 1,270 |
| A-3 | 70 | 1,778 | 50 | 1,270 |
| A-4 | 82 | 2,082 | 50 | 1,270 |
| B-1 | 37 | 939 | 68 | 1,727 |
| B-2 | 48 | 1,219 | 74 | 1,879 |
| B-3 | 58 | 1,473 | 79 | 2,006 |
| B-4 | 69 | 1,752 | 85 | 2,159 |
| C-1 | 28 | 711 | 78 | 1,981 |
| C-2 | 36 | 914 | 87 | 2,209 |
| C-3 | 45 | 1,143 | 95 | 2,413 |
| C-4 | 53 | 1,346 | 104 | 2,641 |

Dimensions are for reference only and subject to change without notice.



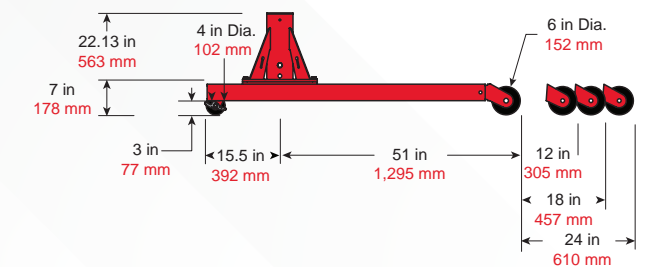
Commander 2000 Wheel Base

5BR20 5BR20X

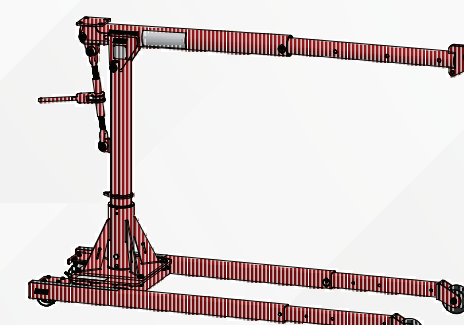
Commander 2000 Wheel Base Load Ratings

| Boom Position | Leg Pos. 1 | | Leg Pos. 2 | | Leg Pos. 3 | | Leg Pos. 4 | | | |
|---------------|---------------------------|------|------------|------|------------|------|------------|------|------------|--|
| | (lb) | (kg) | (lb) | (kg) | (lb) | (kg) | (lb) | (kg) | | |
| A/B/C-1 | SEE LOAD RATINGS ON CRANE | | | | | | | | | |
| A/B/C-2 | | | | | | | | | DO NOT USE | |
| A/B/C-3 | | | | | | | | | | |
| A/B/C-4 | | | | | | | | | DO NOT USE | |

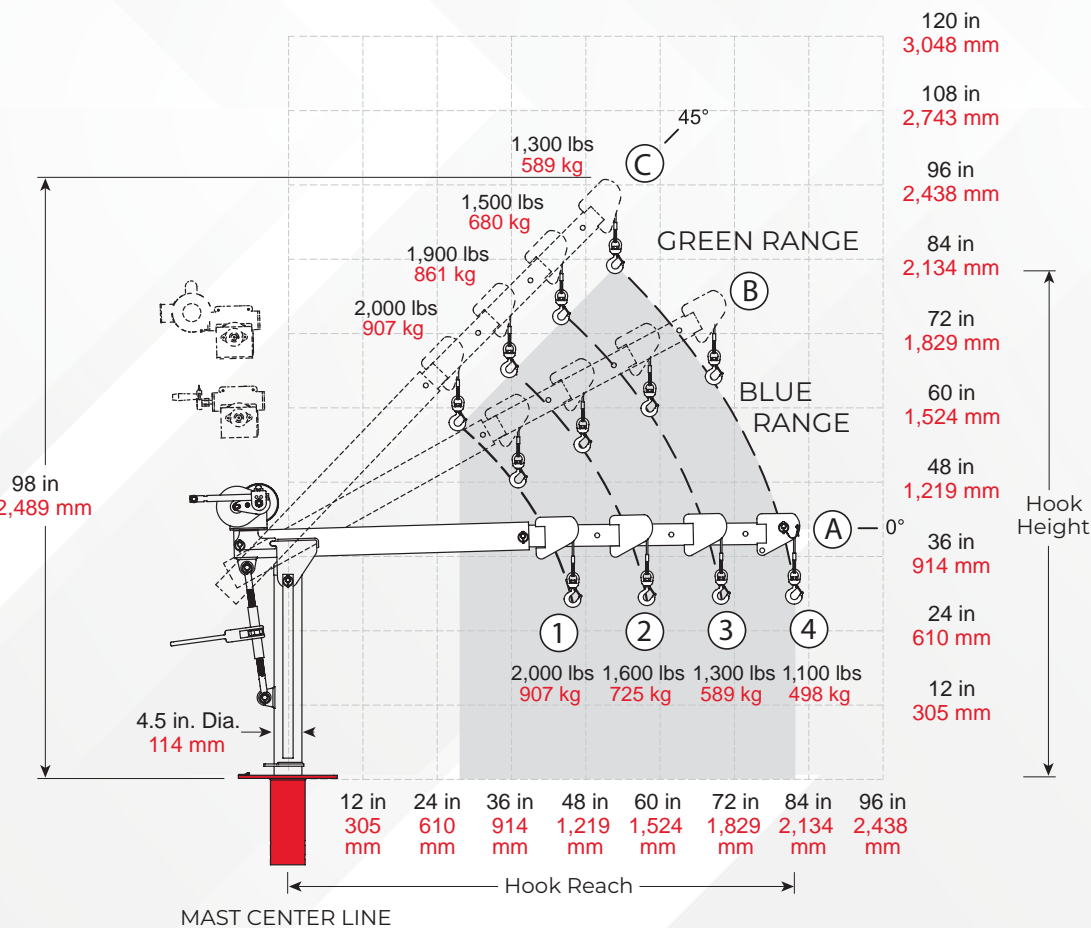
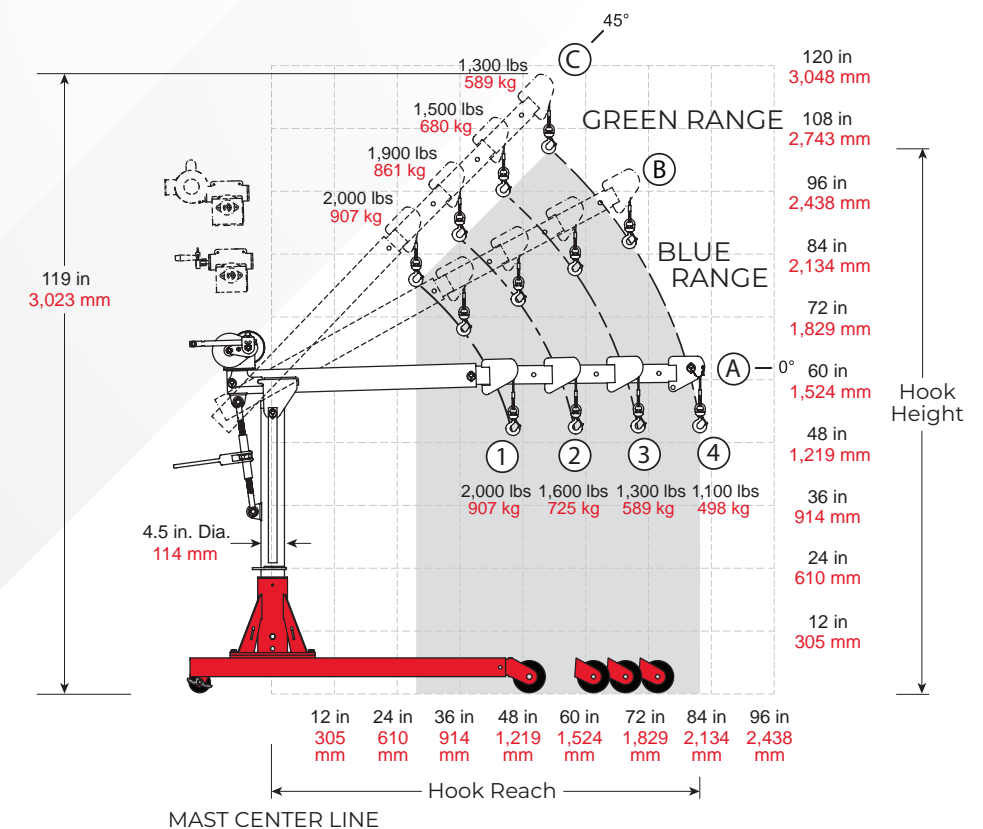
Dimensions are for reference only and subject to change without notice.



Commander 2000 on Wheel Base



IMPORTANT: Crane DOES NOT rotate when assembled in 5BR20 wheel base.



CRANE

OPTIONS & ACCESSORIES

Base Anchor Kit

| Model | Description |
|-------------|--|
| AN50A-5 | (4) Hilti® zinc-plated steel fasteners 1/2" X 5.50" STL (5PA5, 5PF5, and 5PT5 cranes) |
| AN50A-5S | (4) Hilti® 304 stainless-steel fasteners 1/2" X 5.50" SST304 (5PA5, 5PF5, and 5PT5 cranes) |
| AN50A-5S316 | (4) Hilti® 316 stainless-steel fasteners 1/2" X 5.50" SST316 (5PA5, 5PF5, and 5PT5 cranes) |
| AN62A-6 | (4) Hilti® zinc-plated steel fasteners 5/8" X 6.00" STL (5PA10, 5PT10, 5PT20, and 5FT20 cranes) |
| AN62A-6S | (4) Hilti® 304 stainless-steel fasteners 5/8" X 6.00" SST304 (5PA10, 5PT10, 5PT20, and 5FT20 cranes) |
| AN62A-6S316 | (4) Hilti® 316 stainless-steel fasteners 5/8" X 6.00" SST316 (5PA10, 5PT10, 5PT20, and 5FT20 cranes) |

Rotational Lock

| Model | Description |
|--------|---|
| 5P5LCK | For pedestal, wall, and flush-mount bases, 316 stainless steel—available for use 5PA5, 5PF5, and 5PT5 |

Cable Spooler

| Model | Description |
|-------|--|
| RW50 | 316 stainless-steel reel winds up wire rope when detached from crane |

Wire Rope Keeper

| Model | Description |
|-------------|--|
| RK19-25S | 304 Stainless-steel bracket holds free end of the wire rope when detached from the crane |
| RK19-25S316 | 316 Stainless-steel bracket holds free end of the wire rope when detached from the crane |

Roller Ball Bearing for 5PT10 Series Crane

| Model | Description |
|----------------|---|
| 5PT10BRG | Red electrostatic, powder-coat paint finish |
| 5PT10BRG-S | 304 stainless-steel, electro-polished finish for added protection against corrosion |
| 5PT10BRG-S316 | Stainless-steel, electro-polished finish for maximum protection against corrosion |
| 5PT10BRG-SS | 304 stainless steel, for use with stainless-steel base only |
| 5PT10BRG-SS316 | 316 stainless steel, for use with stainless-steel base only |

Roller Ball Bearing for 5PT20 Series Crane

| Model | Description |
|----------------|---|
| 5PT20BRG | Red electrostatic, powder-coat paint finish |
| 5PT20BRG-S | 304 stainless-steel, electro-polished finish for added protection against corrosion |
| 5PT20BRG-S316 | Stainless-steel, electro-polished finish for maximum protection against corrosion |
| 5PT20BRG-SS | 304 stainless steel, for use with stainless-steel base only |
| 5PT20BRG-SS316 | 316 stainless steel, for use with stainless-steel base only |

Limit Switch Ready Winch Options

| Model | Description |
|--|---|
| NOTE: Limit switch winch option requires purchase of Limit Switch and Headache Ball (sold separately) | |
| For 5PF5, 5PA5, 5PA10, 5PT5, 5PT10, 5PT20 Series Cranes (sold separately) | |
| E2L (5PA5, 5PA10) | 4WP2V-KL electric winch – 115/1/60 VAC with 6 ft pendant control – enamel |
| E2LX (5PA5, 5PA10) | 4WP2VEGRA-KL electric winch – 115/1/60 VAC with 6 ft pendant control – epoxy gray |
| E4L | 4777-KL electric winch – 115/1/60 VAC with 6 ft pendant control – enamel |
| E4LX | 4777EGRA-KL electric winch – 115/1/60 VAC with 6 ft pendant control – epoxy gray |
| E4DCL | 4777DC-KL electric winch – 12 volt DC with 10 ft pendant control – enamel |
| E4DCLX | 4777DCEGRA-KL electric winch – 12 volt DC with 10 ft pendant control – epoxy gray |
| For 5FT20 Series Crane Only (sold separately) | |
| E2L | 4WP2-KL electric winch – 115/1/60 VAC with 6 ft pendant control – enamel |
| E2LX | 4WP2EGRA-KL electric winch – 115/1/60 VAC with 6 ft pendant control – epoxy gray |
| E4L | 4771-KL electric winch – 115/1/60 VAC with 6 ft pendant control – enamel finish |
| E4LX | 4771EGRA-KL electric winch – 115/1/60 VAC with 6 ft pendant control – gray-epoxy finish |
| E4DCL | E4DCL 4771DC-KL electric winch – 12 volt DC with 10 ft pendant control – enamel finish |
| E4DCLX | 4771DCEGRA-KL electric winch – 12 volt DC with 10 ft pendant control – gray-epoxy finish |
| For 5PT30, 5FT25, 5FT40 Series Crane Only (sold separately) | |
| E2L | 3WG4B-KL electric winch - 115/1/160 VAC with 6 ft pendant control – enamel finish |
| E2LX | 3WG4BEGRA-KL electric winch - 115/1/160 VAC with 6 ft pendant control – epoxy gray finish |
| E2TL | 3WG4BMT-K electric winch - 115/1/160 VAC with 6 ft pendant control – enamel finish |
| | (Unavailable for use with 5FT40) |
| E2TLX | 3WG4MTX-KL electric winch - 115/1/160 VAC with 6 ft pendant control – epoxy gray finish |

Drill Drive Kit

| Model | Description |
|------------|---|
| ED330-DW11 | 120 VAC, 11-amp, 330 rpm drill motor to power drive the hand winch. Only available for cranes configured with the M2 winch option. Includes 1-1/8" hex drive socket |
| ED300-DW06 | Cordless drill kit, 60 V brushless motor, 300 rpm drill motor to power drive the M2 hand winch option. Includes 1-1/8" hex drive socket |
| ED400-DW09 | Heavy-duty cordless drill kit, 60 V brushless motor, 400 rpm drill motor to power drive the M2 hand winch option. Includes 1-1/8" hex drive socket |

Headache Ball

| Model | Description |
|-------------|---|
| HB10-12-25 | Red enamel painted 10 lb fits 1/8" to 1/4" rope |
| HB10-25-38 | Red enamel painted 10 lb fits 1/4" to 3/8" rope |
| HB10S-12-25 | Stainless-steel 10 lb fits 1/8" to 1/4" rope |
| HB10S-25-38 | Stainless-steel 10 lb fits 1/4" to 3/8" rope |
| HB10S-44-50 | Stainless-steel 10 lb fits 7/16" to 1/2" rope |

Base Extension

| Model | Description |
|----------|---|
| 5BE5-15 | Available on 5PF5, 5PT5, 5PT10, and 5PT20 with powder-coat, galvanized, |
| 5BE10-15 | 304 & 316 stainless-steel, and epoxy finishes |
| 5BE20-15 | |



MADE IN USA 

Thern, Incorporated

World Headquarters
5712 Industrial Park Road Winona, MN USA
Toll Free: 1-800-843-7648
Phone: 1-507-454-2996
www.thern.com

Thern Europe

Bedrijvenpark Twente 454e
7602 KM Almelo The Netherlands
Phone: +31-546-898-380
europa@thern.com